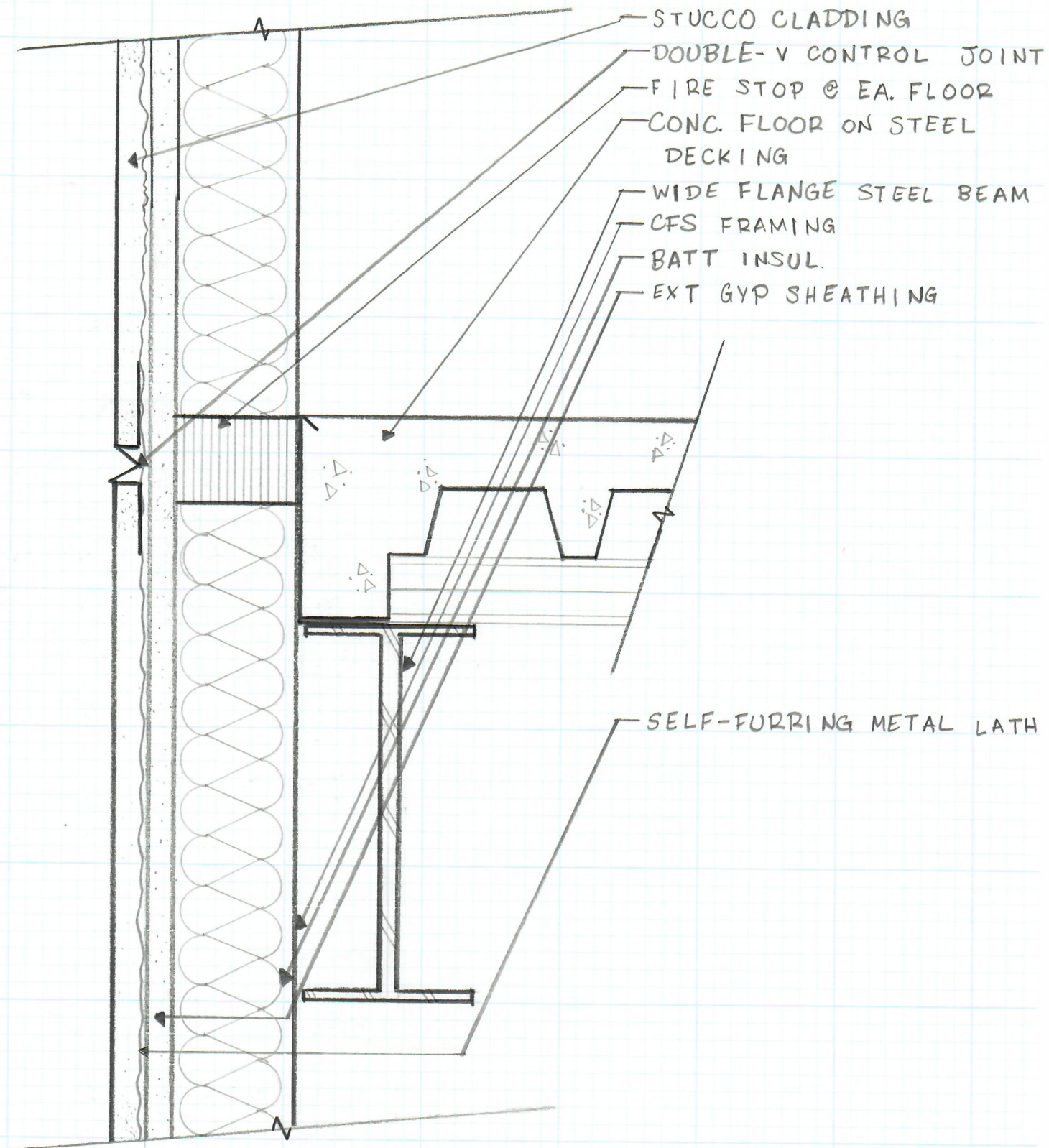


- RAFTER @ 3:12
- LEDGER FOR GYP @ CEILING
- 2x4 FRAME WALL
- LEDGER FOR SOFFIT
- WOOD SIDING TRIM
- WOOD SIDING
- BATT. INSUL.
- GYP. BOARD
- EXTERIOR SHEATHING
- FLOOR SYSTEM
- FOUNDATION

6" MIN.

WLF WALL
 $\frac{1}{8}'' = 1''$

FEB 9, 2023
 M. MORTON

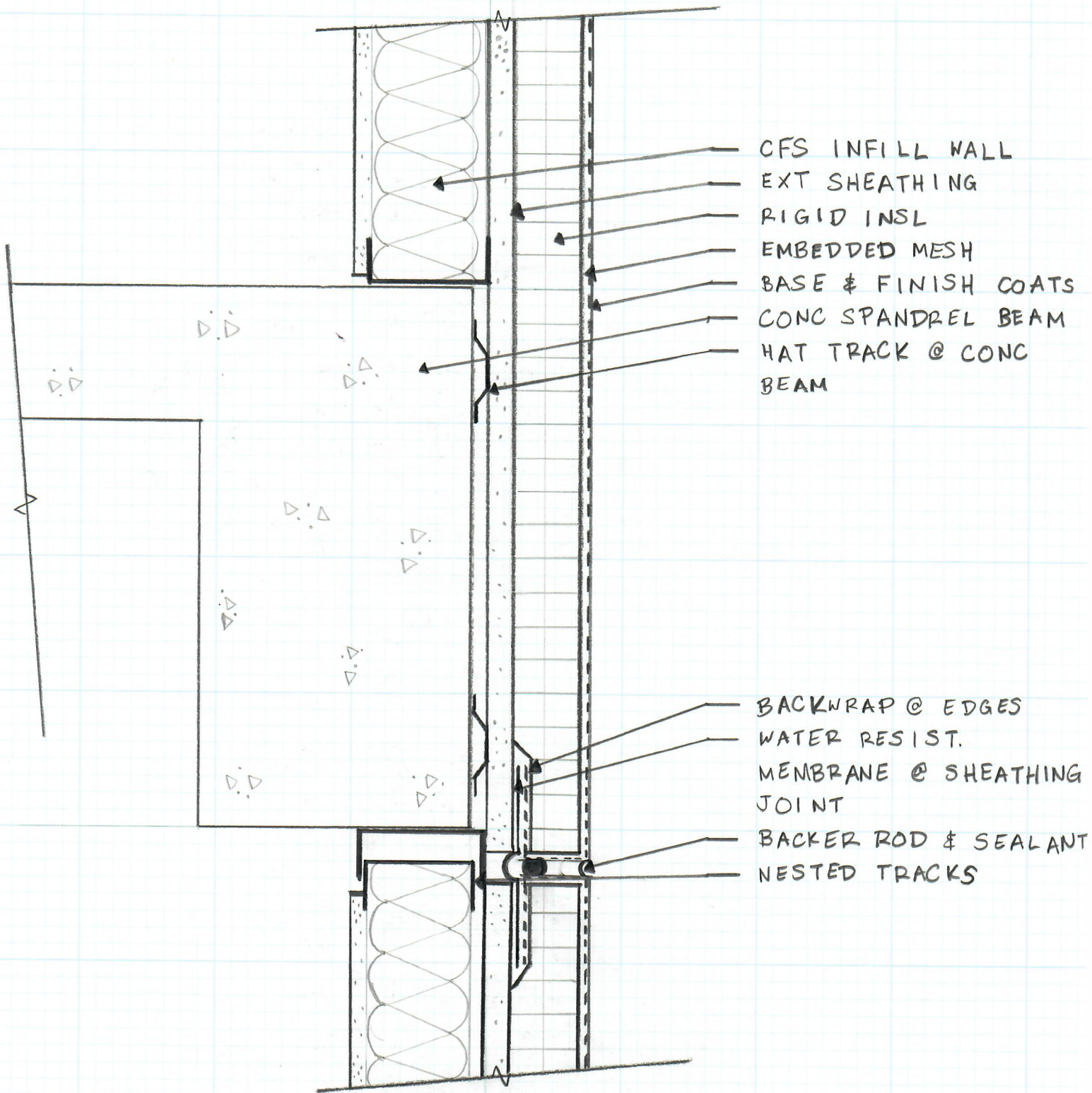


STUCCO CLADDING W/
CONTROL JOINT

1/4" = 1"

FEB 16, 2023

M. MORTON



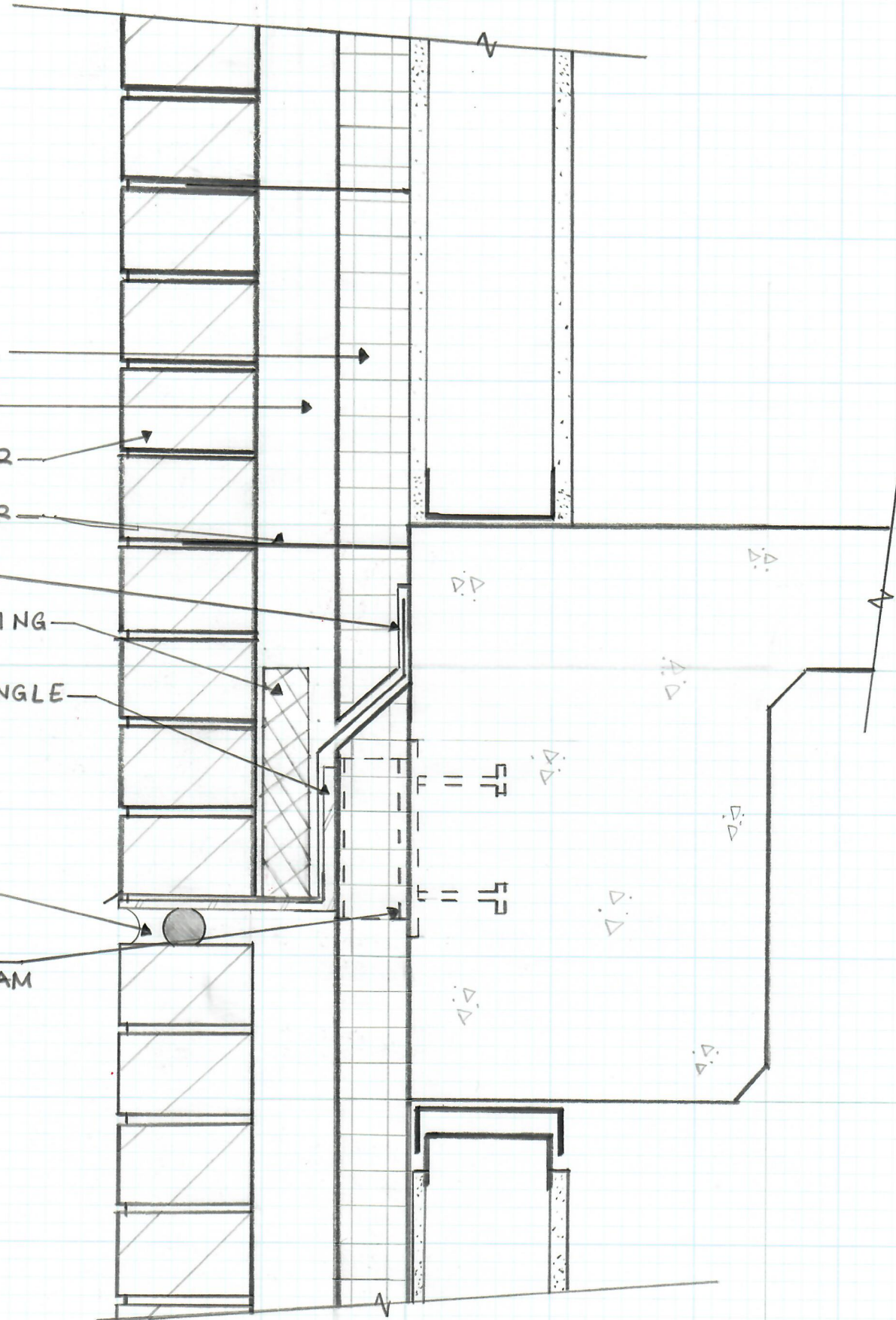
CFS INFILL WALL
 EXT SHEATHING
 RIGID INSL
 EMBEDDED MESH
 BASE & FINISH COATS
 CONC SPANDREL BEAM
 HAT TRACK @ CONC
 BEAM

BACKWRAP @ EDGES
 WATER RESIST.
 MEMBRANE @ SHEATHING
 JOINT
 BACKER ROD & SEALANT
 NESTED TRACKS

EIFS w/ JOINT DETAIL
 1/4" = 1"

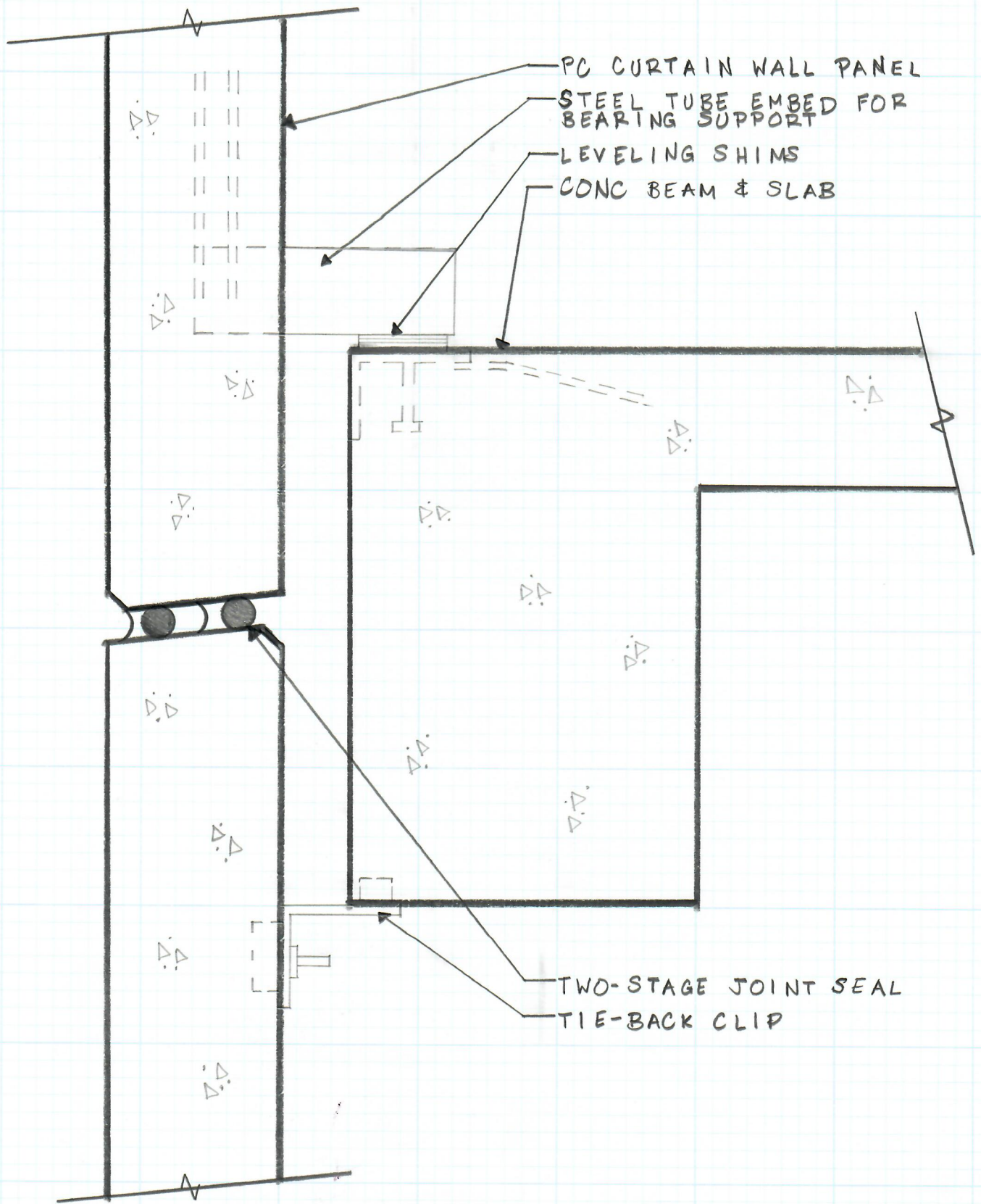
2/21/23
 M. MORTON

- 2" RIGID INSUL.
- 2" AIR SPACE
- MASONRY VENEER
- TIEBACK ANCHOR
- FLASHING
- MORTAR CAPTURING DEVICE
- STEEL SHELF ANGLE
- BACKER ROD & SEALANT
- OFFSET ANCHOR @ CONCRETE BEAM



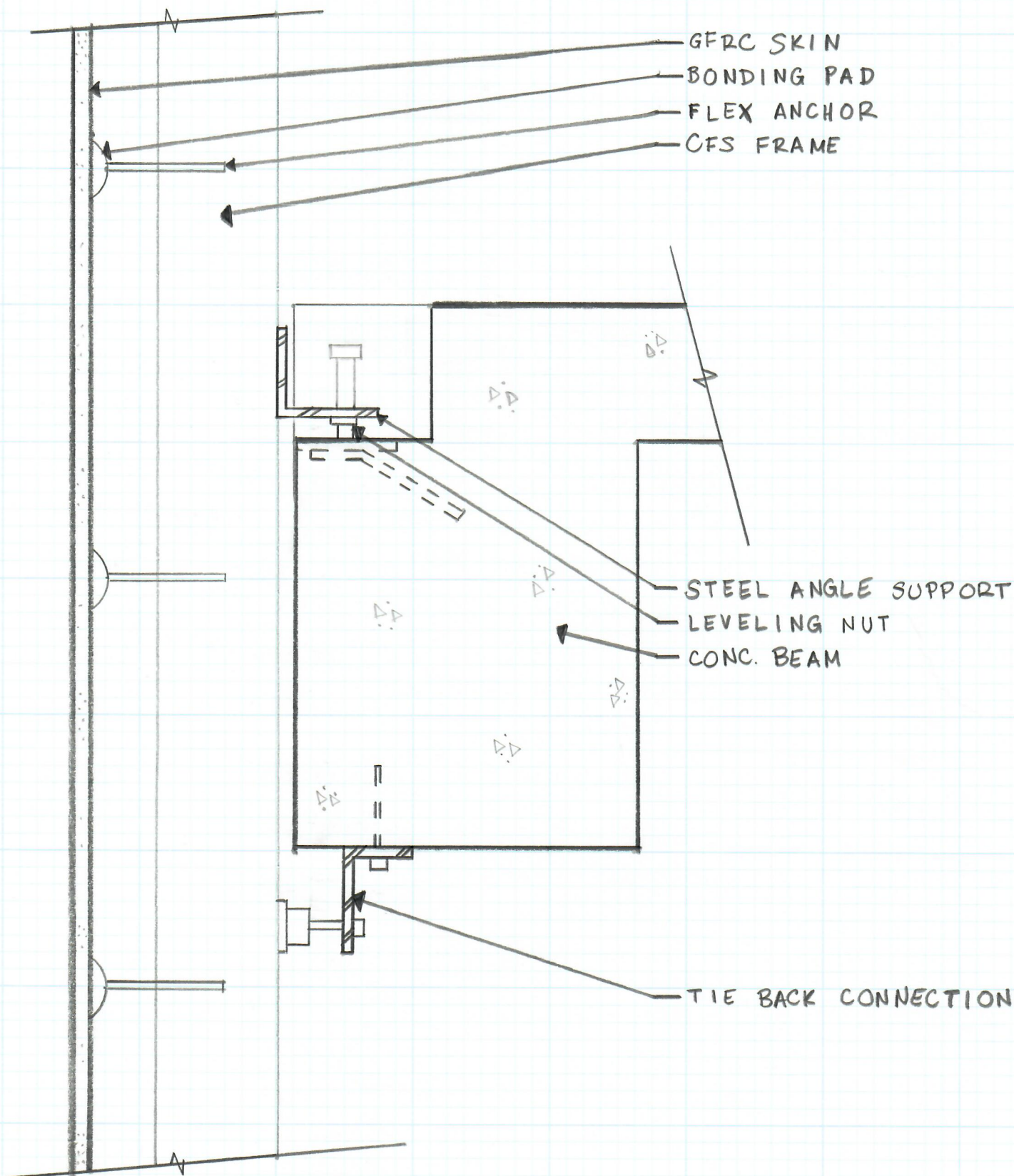
BRICK VENEER
1/4" = 1"

3-2-23
M. MORTON



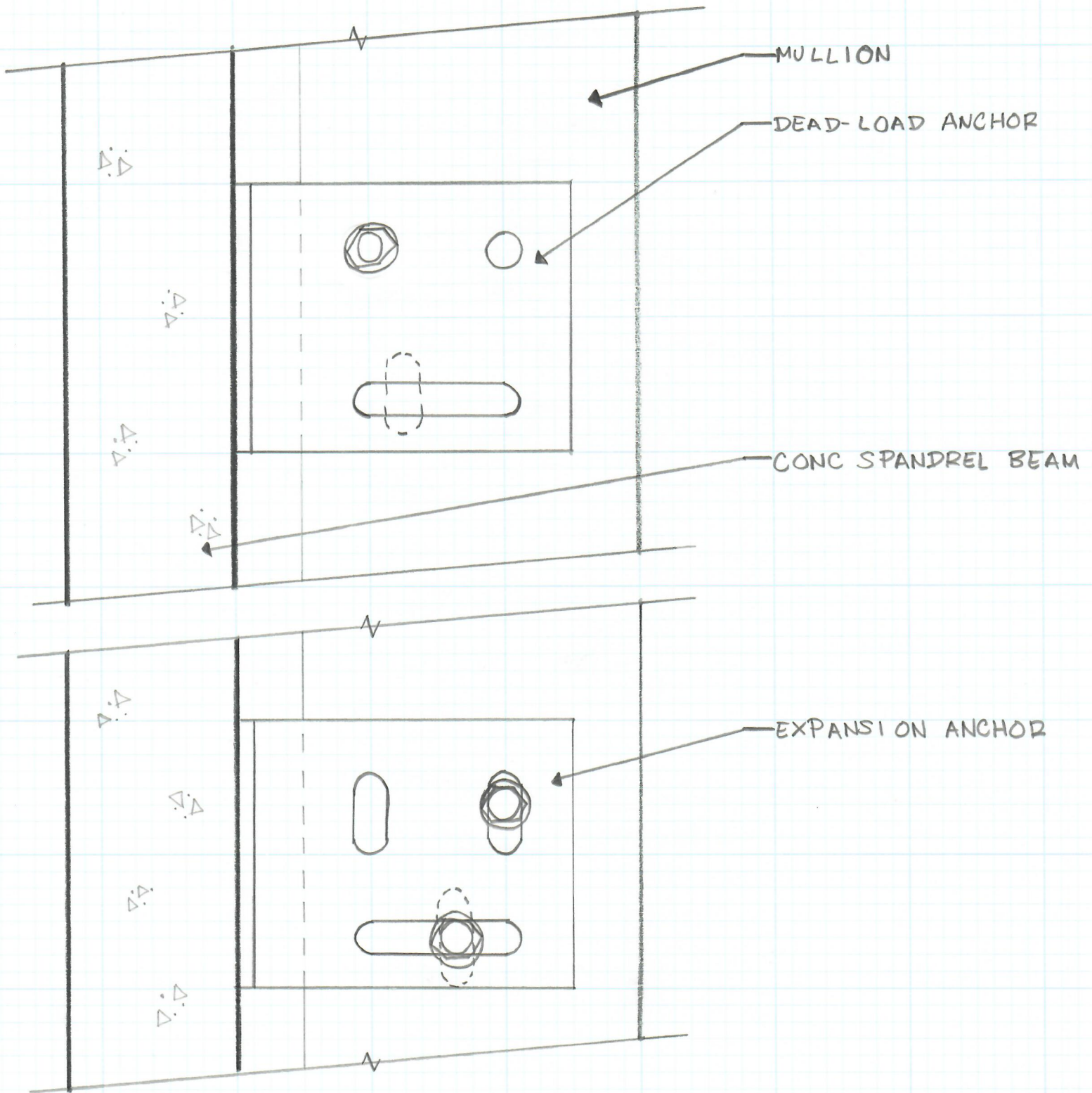
PC CURTAIN WALL CONNECTIONS
 $\frac{1}{4}'' = 1''$

3-7-23
 M. MORTON



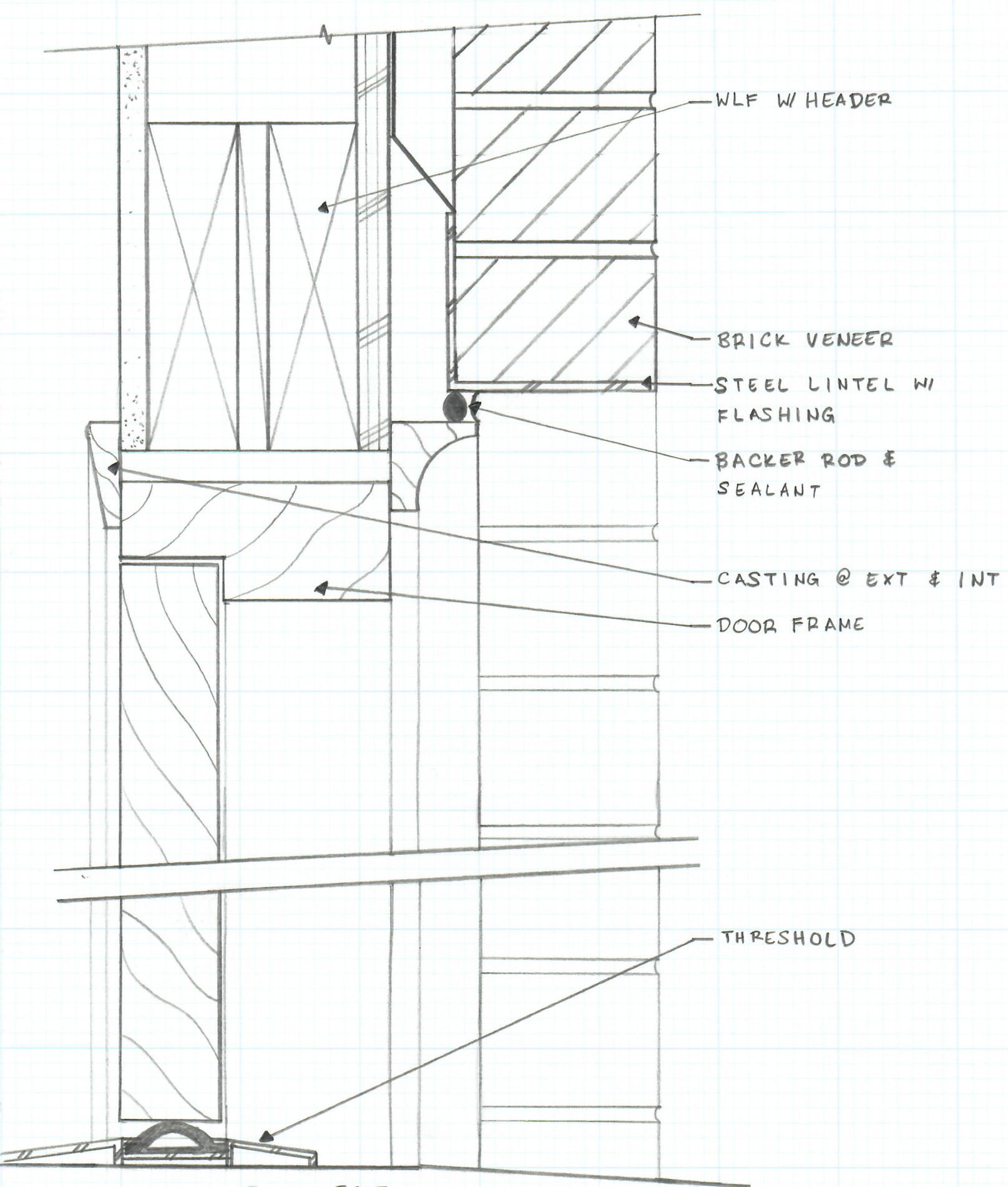
GFRC PANEL W/ CONNECTIONS
 1/4" = 1"

3-9-23
 M. MORTON



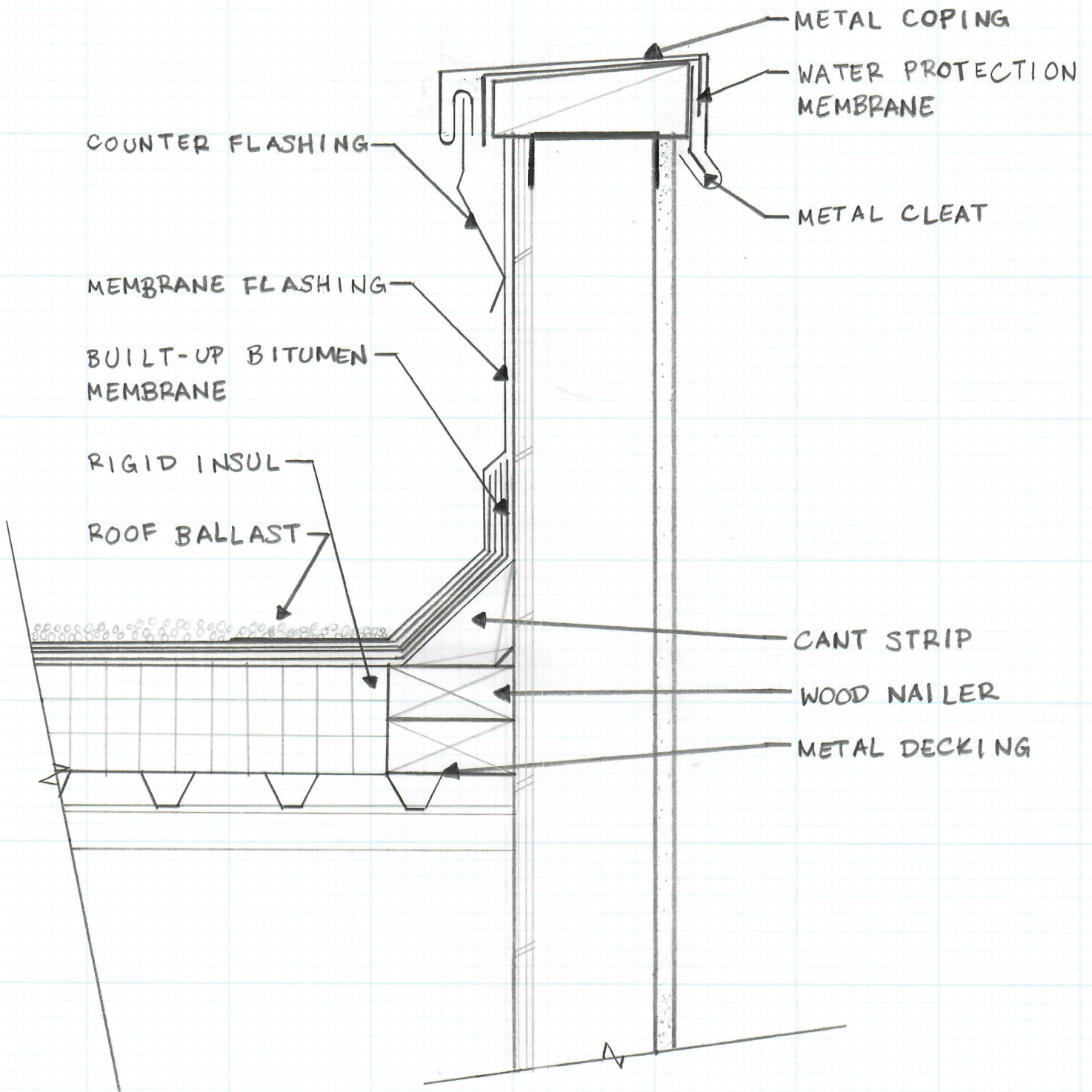
MULLION ANCHOR TO SPANDREL BEAM
 $\frac{1}{2}'' = 1''$

3-30-23
 M MORTON



DOOR DETAIL
 $\frac{1}{2}'' = 1''$

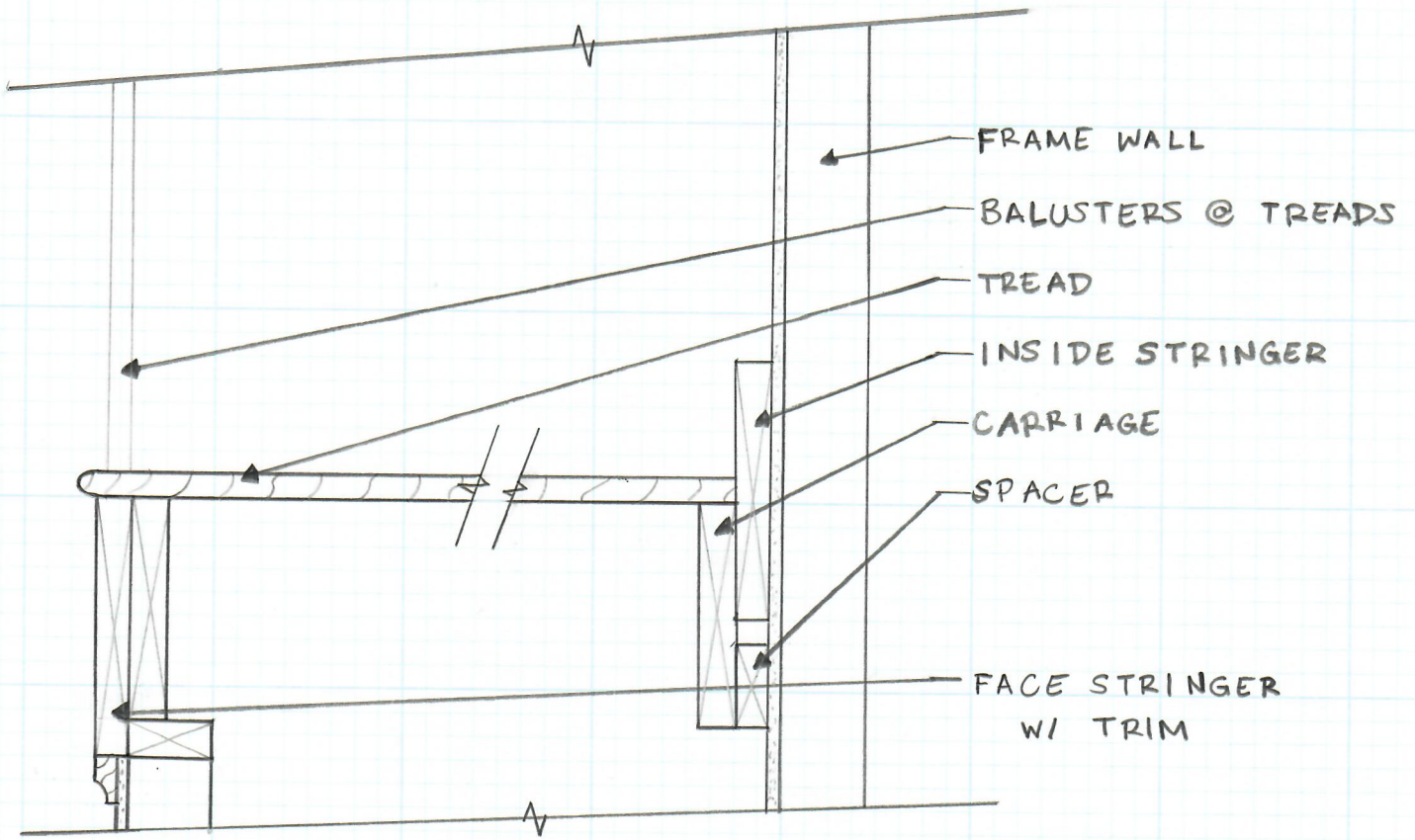
4-6-23
 M MORTON



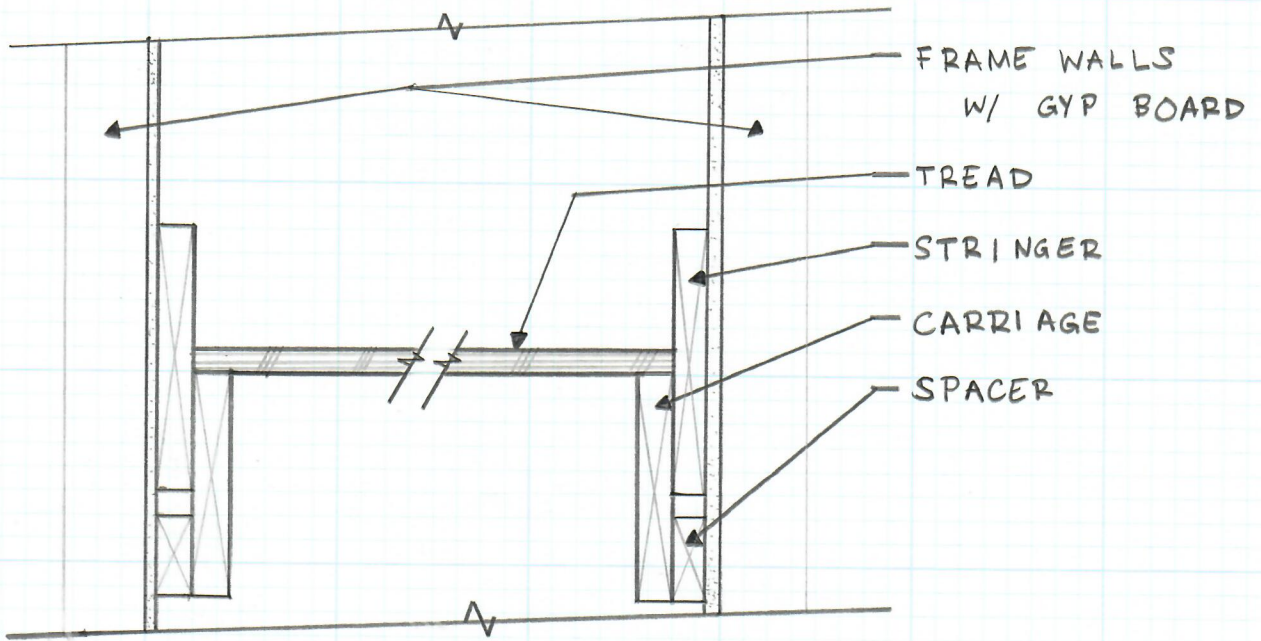
PARAPET FLASHING & COPING

1/4" = 1"

4-20-23
M MORTON



STAIR W/ BALUSTERS
 $\frac{1}{8}'' = 1''$



STAIR W/ FRAME WALLS
 $\frac{1}{8}'' = 1''$

M MORTON
 4-27-23